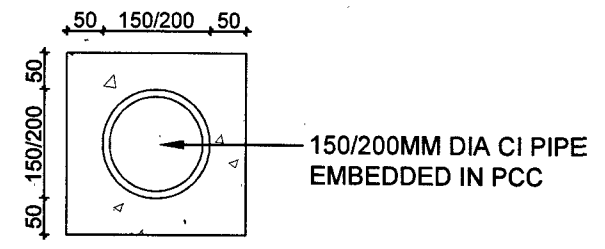
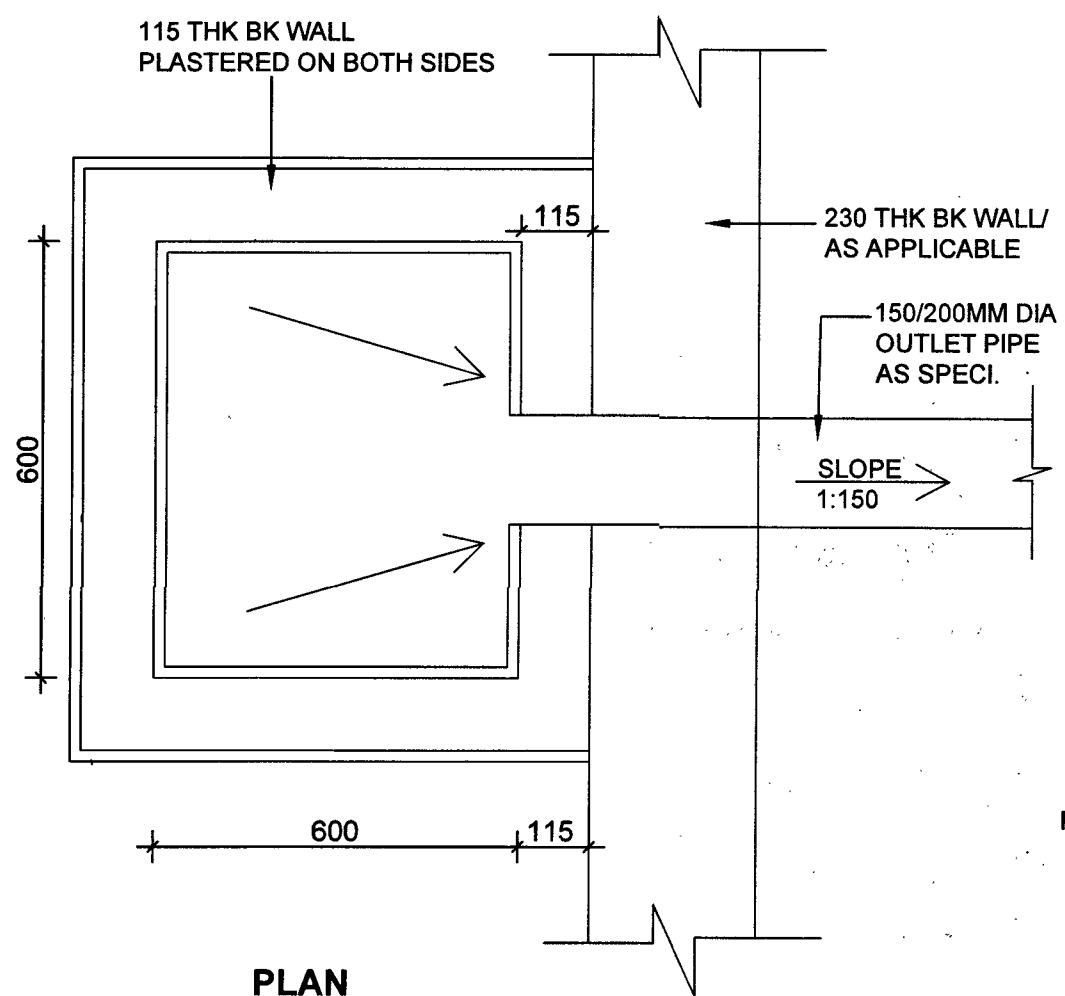


- NOTES:**
1. CONTRACTOR TO CHECK & VERIFY ALL DIMENSIONS BEFORE TAKING EXECUTION IN HAND.
  2. FIGURED DIMENSIONS SHALL BE FOLLOWED.
  3. ALL DIMENSIONS ARE SHOWN IN MM UNLESS OTHER WISE STATED.
  4. EXECUTIVE AUTHORITY SHALL CHECK THIS DRG. BEFORE TAKING EXECUTION IN HAND.

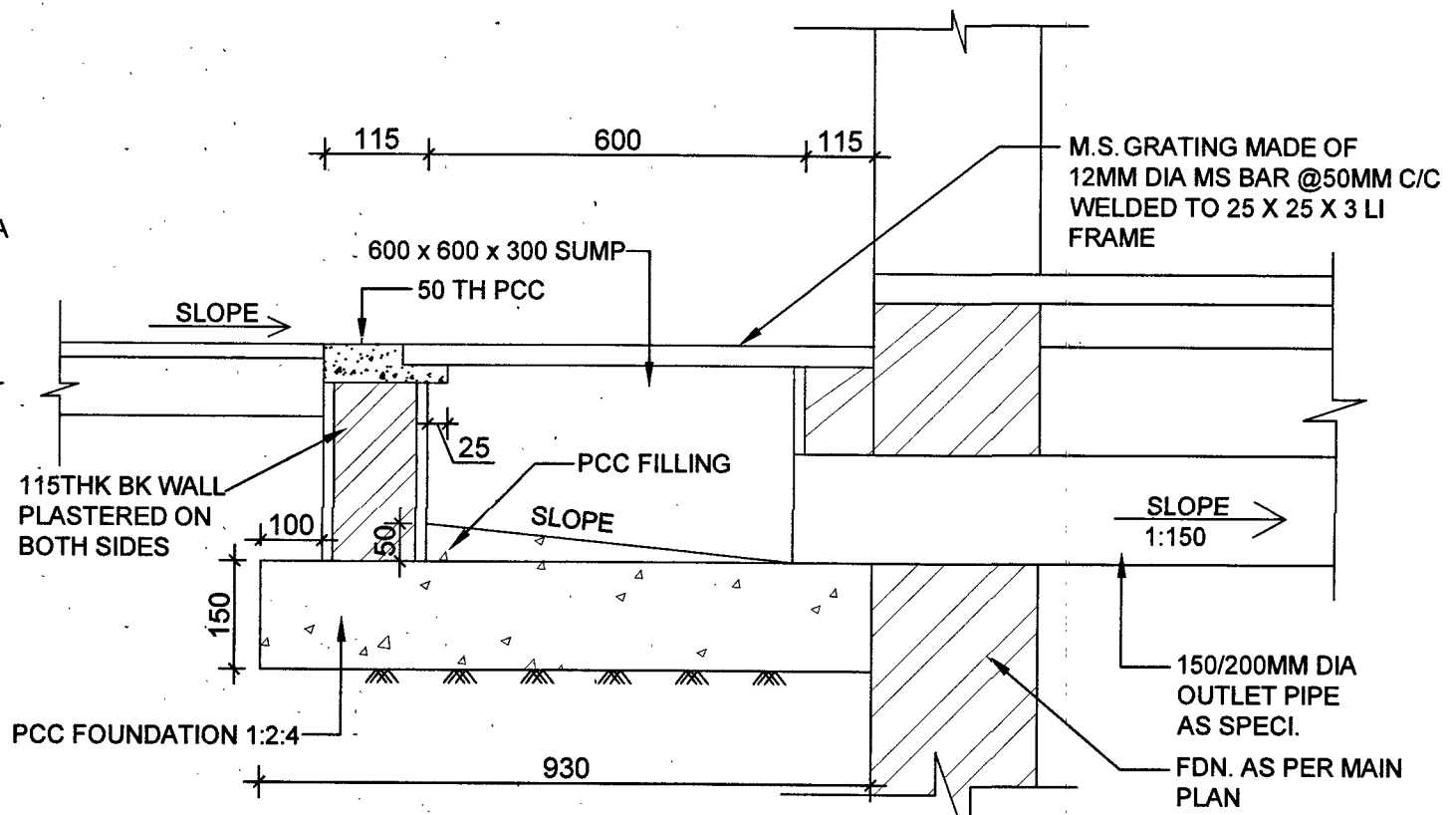


**CROSS SECTION OF CI PIPE EMBEDDED IN PCC**



**PLAN**

**DETAIL OF SUMP**



**SECTION**

ARCH DRAWINGS PREPARED UNDER CONSULTANCY BY M/S THE DESIGN FACTORY, 293, CHHOTI BARANDARI PART-1 JALANDHAR, PUNJAB. THE SAME ARE SIGNED BY US AS PER E-IN-C'S BRANCH POLICY LETTER NO.08/2017 ISSUED UNDER E2 WORKS (PPC) SUB DTE, DTE OF WORKS, LETTER NO. A/00157/23-1/POL/E2W(PPC) DATED 02 JULY 2017

SL NO	DATE	DESCRIPTION	INITIAL

**REVISION**

**DETAILS OF GROUND SUMP**

DATE	13/03/2025	CHIEF ENGINEER	SHEET NO
DRAWN		JALANDHAR ZONE	01
CHKD			01

SCALE AS SHOWN DRG NO : CEJZ / TD-104 / 2025

CONSULTANTS:  
  
 293 CHHOTI BARANDARI PART 1 - JALANDHAR +91 9878602949 thedesignfactory7@gmail.com

AAD (ARCH)

DIRECTOR (ARCH) for CHIEF ENGINEER